

VMS Consolidated Software Distribution

Disc User's Guide

AA-MN64E-RE

May 1991

This guide describes how to install, upgrade, and update the VMS operating system and how to install layered products from the VMS Consolidated Software Distribution discs. It also lists the contents of the discs.

Revision/Update Information: This is a revised document.

Digital Equipment Corporation

May 1991

The optical disc publication and all component parts as appearing herein are copyrighted ©1991 by Digital Equipment Corporation.

The following are trademarks of Digital Equipment Corporation: DEC, Digital, the DIGITAL logo, MicroVAX, VAX, VAXcluster, VAXstation, VMS.

The information in this document is subject to change without notice and should not be construed as a commitment by Digital Equipment Corporation. Digital Equipment Corporation assumes no responsibility for any errors that may appear in this document.

The software described in this document is furnished under a license and may be used or copied only in accordance with the terms of such license.

No responsibility is assumed for the use or reliability of software on equipment that is not supplied by Digital Equipment Corporation or its affiliated companies.

Restricted Rights: Use, duplication, or disclosure by the U.S. Government is subject to restrictions as set forth in subparagraph (c)(1)(ii) of the Rights in Technical Data and Computer Software clause at DFARS 252.227-7013.

This document was prepared using VAX DOCUMENT, Version 1.2

Contents

Overview of Disc User's Guide	1
Loading a Disc into a Caddy	2
Inserting and Removing a Disc	4
Mounting and Controlling Access to a Disc	5
Registering Product Authorization Keys	6
Installing, Upgrading, or Updating the VMS Operating System	7
Installing Layered Products	8
Using the CDMENU Utility	10
Using Infoserver Disc Identification Labels	11
Disc Contents	12
Printing the Disc Contents	13
The Master Index for the Discs	14
Disc Care and Handling	24

Tables

1	May 1991 Master Index	14
---	-----------------------------	----

Overview of Disc User's Guide

About these discs

The VMS Consolidated Distribution discs for software products compose a software delivery vehicle that allows you to receive an update of consolidated software products on a regular basis.

This method of distribution does not change the content of any individual product. There is no impact on product compatibility; individual products are neither more nor less compatible as a result of consolidated distribution.

Before using the discs

Before you install, upgrade, or update the VMS operating system from your discs, or before you install a layered product, make sure you are familiar with the system hardware, including the disc drive.

In this guide

This guide describes how to:

- load a disc into a protective caddy
- insert a disc and remove it from the disc drive
- mount and control access to a disc
- read documentation from a disc
- register Product Authorization Keys (PAKs)
- install, upgrade, and update the VMS operating system from a disc
- install layered products from a disc
- use the CDMENU Utility to display the products on a disc and to access documentation in ASCII (text) or PostScript® format

This guide also contains a list of contents of the discs.

Product licensing agreement

The media and the software programs contained on these discs belong to Digital. Use of the software products is authorized only if you have a valid software license from Digital. Therefore, you must purchase the appropriate software license for each product you want to use from this consolidated distribution.

By electing this method of distribution, you agree to install the products contained on these discs on systems running VMS Version 5.0 and above.

Refer to your license agreements for license terms and conditions.

Ordering information

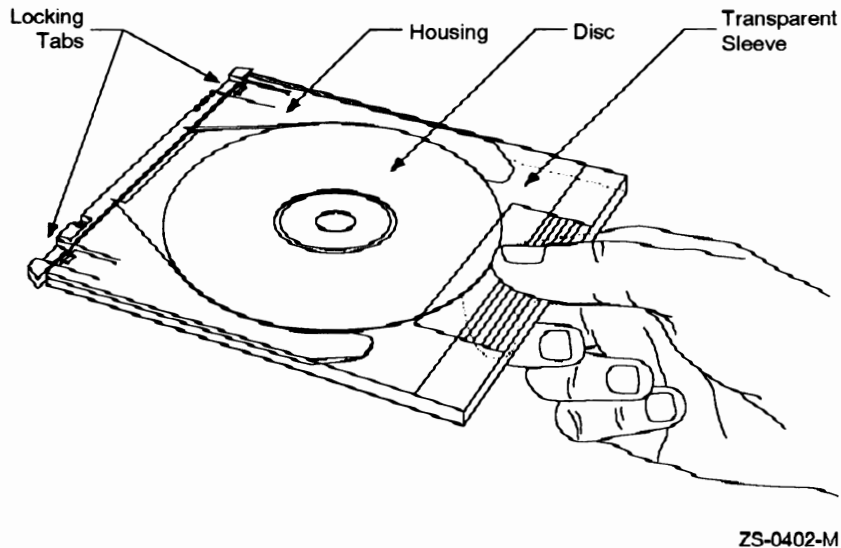
For individual product and documentation ordering information, consult your local sales representative.

Loading a Disc into a Caddy

Loading a Disc into a Caddy

Figure of disc caddy

The discs accompanying this booklet must be loaded into caddies before they can be inserted into an RRD40 disc drive. The following figure shows the components of a disc caddy.



Loading a disc into a caddy

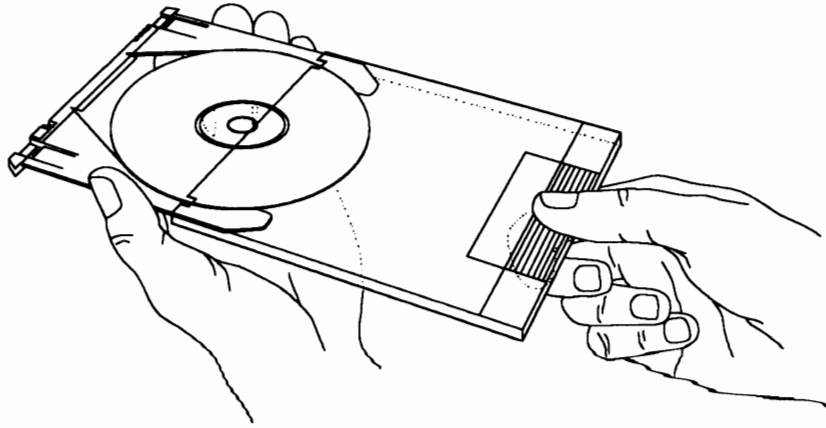
Follow these steps to load a disc into a caddy.

Step	Action
1	Press the locking tabs on the caddy and pull the housing out of the transparent sleeve.
2	Remove the disc from its packaging. Grasp the disc with your free hand by placing your index finger in the center hole of the disc and your thumb on the outer edge of the disc.
3	Place the disc in the caddy housing, making sure that the labeled side faces down.
4	Slide the housing into the transparent sleeve until the locking tabs latch.
<u>Result:</u> The disc is contained in the caddy.	

Figure of disc being loaded into caddy

The following figure shows how to slide the disc housing into the transparent sleeve.

Loading a Disc into a Caddy



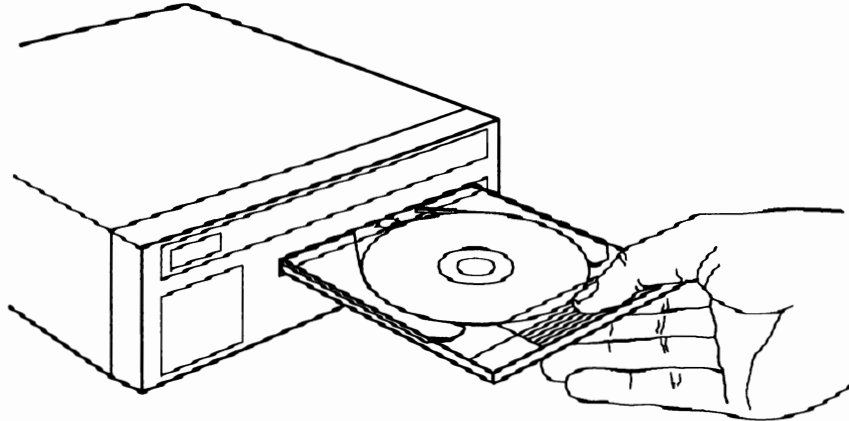
ZS-0400-M

Inserting and Removing a Disc

Inserting and Removing a Disc

Figure of disc, caddy, and disc drive

The following figure shows a disc (in its caddy) and the RRD40 disc drive.



ZS-0395-M

Inserting a disc

Follow these steps to insert a disc into the RRD40 disc drive.

Step	Action
1	Insert the caddy into the slot in the drive.
2	Push the caddy in until it stops.
3	Withdraw the caddy.
<u>Result:</u> The disc remains inside the drive.	

Removing a disc

Follow these steps to remove a disc from the RRD40 disc drive.

Step	Action
1	Insert an empty caddy into the slot in the drive.
2	Push the caddy in until it stops.
3	Withdraw the caddy.
<u>Result:</u> The disc is removed from the drive and is contained inside the caddy.	

Mounting and Controlling Access to a Disc

Mounting procedure

To access the files on a VMS Consolidated Distribution for Software Products disc, you must mount the disc. Follow these steps to mount a disc.

Step	Action										
1	Find the appropriate volume label from the following table: <table border="1"><thead><tr><th>Disc</th><th>Label</th></tr></thead><tbody><tr><td>1</td><td>CDBIN01MAY11</td></tr><tr><td>2</td><td>CDBIN01MAY12</td></tr><tr><td>3</td><td>CDBIN01MAY13</td></tr><tr><td>4</td><td>CDBIN01MAY14</td></tr></tbody></table>	Disc	Label	1	CDBIN01MAY11	2	CDBIN01MAY12	3	CDBIN01MAY13	4	CDBIN01MAY14
Disc	Label										
1	CDBIN01MAY11										
2	CDBIN01MAY12										
3	CDBIN01MAY13										
4	CDBIN01MAY14										
2	Insert the disc into the drive.										
3	Log into the system manager's account (SYSTEM).										
4	Mount the disc and control user access.										
	<table border="1"><thead><tr><th>IF you want to mount the disc...</th><th>THEN enter this command...</th></tr></thead><tbody><tr><td>To allow access from multiple users in a VAXcluster</td><td>MOUNT/CLUSTER <i>device volume-label</i> <u>Example:</u> \$ MOUNT/CLUSTER DUB0: CDBIN01MAY11</td></tr><tr><td>On a standalone system, or to prevent access from multiple users in a VAXcluster</td><td>MOUNT <i>device volume-label</i> <u>Example:</u> \$ MOUNT DUB0: CDBIN01MAY11</td></tr></tbody></table>	IF you want to mount the disc...	THEN enter this command...	To allow access from multiple users in a VAXcluster	MOUNT/CLUSTER <i>device volume-label</i> <u>Example:</u> \$ MOUNT/CLUSTER DUB0: CDBIN01MAY11	On a standalone system, or to prevent access from multiple users in a VAXcluster	MOUNT <i>device volume-label</i> <u>Example:</u> \$ MOUNT DUB0: CDBIN01MAY11				
IF you want to mount the disc...	THEN enter this command...										
To allow access from multiple users in a VAXcluster	MOUNT/CLUSTER <i>device volume-label</i> <u>Example:</u> \$ MOUNT/CLUSTER DUB0: CDBIN01MAY11										
On a standalone system, or to prevent access from multiple users in a VAXcluster	MOUNT <i>device volume-label</i> <u>Example:</u> \$ MOUNT DUB0: CDBIN01MAY11										

For more information

For information about configuring the disc drive as a served device in a VAXcluster system, see the *VMS VAXcluster Manual*.

Registering Product Authorization Keys

Registering Product Authorization Keys

Prerequisite

When you purchase a software license, you receive a standard Product Authorization Key (PAK), which lets you use the software on the discs. You must register a PAK before you install and use the software products on the discs.

The License Management Facility

For the VMS operating system and VMS layered products, use the License Management Facility (LMF) to register a PAK. For information about registering PAKs, see the *VMS License Management Utility Manual*.

Installing, Upgrading, or Updating the VMS Operating System

Installing, Upgrading, or Updating the VMS Operating System

Deciding what to do

To decide whether you are going to install, upgrade, or update the VMS operating system, use the following table.

If your VAX computer is...	Then...
new (it has never had any version of the VMS operating system running on it)	install the VMS operating system from the disc using the VMS installation procedure
running a version of the VMS operating system and you want to destroy the contents (both VMS and user files) of the system disk	install the VMS operating system from the disc using the VMS installation procedure
not new, or if it is running a version of the VMS operating system and you do not want to destroy the contents of the system disk	update or upgrade the VMS operating system from the disc

Installing from the disc

For information about installing the VMS operating system, see the appropriate installation documentation for your computer.

CAUTION: Data Erased

The installation procedure initializes the system disk, erasing its contents. For this reason, use the installation procedure only on new VAX computers or if you want to destroy the contents of the system disk.

Upgrading or updating from the disc

Instructions for updating or upgrading the VMS operating system are contained in files on the disc, as well as in the release notes. To find the location of these files, refer to the Disc Contents section.

Booting VMS Standalone BACKUP

VMS Standalone BACKUP is located in the [SYSE] top-level directory on disc one. To invoke Standalone BACKUP, follow the instructions in the appropriate installation documentation for your VAX computer.

Example:

```
B/R5:E0000000 DUB0
```

Substitute the name of your CD reader for DUB0 in the example.

After you boot Standalone BACKUP, refer to the Installation and Upgrade Procedures contained in the VMS directory on the disc.

Installing Layered Products

Installing Layered Products

Disc directory structure

Each software product kit has its own directory hierarchy. The name of the root directory usually corresponds to the name of the product saveset. The kit savesets are located in the KIT subdirectory. For example, the FORTRAN Version 5.3 product directory structure might include the information in the following table.

FORTRAN V5.3 Directory	File	Contents
[FORT053.KIT]		Product savesets
	FORT053.A	FORTRAN kit
[FORT053.LINE_DOCS]		ASCII documentation
	FORT053_IGUIDE.TXT	Installation Guide
	FORT053_SPD.TXT	Software Product Description
	FORT053_SSA.TXT	System Support Addendum
	FORT053_COVER.TXT	Cover letter
[FORT053.POST_DOCS]		PostScript documentation
	FORT053_IGUIDE.PS	Installation Guide
	FORT053_SPD.PS	Software Product Description
	FORT053_SSA.PS	System Support Addendum
	FORT053_COVER.PS	Cover letter

Installation guide, SPD, and SSA files

- The installation guides for most products are included in the LINE_DOCS and POSTSCRIPT_DOCS directories.
- The Software Product Description (SPD) and System Support Addendum (SSA) files are included in the LINE_DOCS and POSTSCRIPT_DOCS directories.

Using VMSINSTAL

Individual layered product kits are located in their own directory hierarchies. For this reason, when you install a layered product, you must use a VMSINSTAL command line that is slightly different from the one given in the product's installation guide.

When you enter the VMSINSTAL command line, specify the disc drive and the directory.

Command

```
@SYSS$UPDATE:VMSINSTAL product-name disc-drive:[directory]
```

Example:

```
$ @SYSS$UPDATE:VMSINSTAL FORT053 DUB0:[FORT053.KIT]
```

Installing Layered Products

For more information

Table 1 identifies the directory for each product on a disc. You can also use the CDMENU Utility to get the directory names.

Using the CDMENU Utility

Using the CDMENU Utility

Overview

The CDMENU Utility provides a menu interface that helps you perform the following tasks easily:

- Display a master index of all products
- Display new and updated products
- Fetch or copy release notes
- Display and print installation guides and other documentation
- Install products

Before invoking the CDMENU Utility

Before invoking the CDMENU Utility, define the logical name CD\$DIRECTORY in your LOGIN.COM file.

Example 1:

```
$ DEFINE CD$DIRECTORY DUB0:[CDROM]
```

To access multiple discs, define CD\$DIRECTORY as a search list before you invoke the CDMENU utility.

Example 2:

```
$ DEFINE CD$DIRECTORY DUB0:[CDROM],DUB1:[CDROM],DUB3:[CDROM]
```

In addition, define the logical CD\$EDIT to indicate the editor to use while displaying documentation on your screen.

Example 3:

```
$ DEFINE CD$EDIT LSE
```

Invoking the CDMENU Utility

To invoke the CDMENU Utility, enter the following command at the system prompt:

```
$ RUN CD$DIRECTORY:CDMENU
```

Using Infoserver Disc Identification Labels

Overview

This package contains compact disc identification labels for use with the Infoserver 100 compact disc readers. These labels allow you to identify which disc is being used in a particular reader.

For more information

For instructions on using these labels, refer to the Infoserver 100 hardware manual.

Disc Contents

Disc Contents

On these discs

Digital has provided the following information on the discs:

- Upgrade and update procedures for the VMS operating system
- Layered product kits
- Installation guides
- Cover letters
- Software Product Descriptions (SPDs)
- System Support Addenda (SSAs)

The files associated with each product are listed in its directory on the disc.

Not on these discs

Not all products are on these discs. Products that are not included on these discs should be ordered separately. In future releases of VMS Consolidated Software Distribution, Digital intends to include such products as they become available.

Release notes and documentation

Release notes for layered products are included in the kits, and may be retrieved using the menu system or by using VMSINSTAL OPTIONS N. All other documentation for products on these discs must be ordered separately.

“Special notes” files

Two files in the [CDROM] directory provide “special notes” for some products on this release. Please review the contents of these files because they may provide useful information for a product.

For more information

Table 1 lists all products and versions that are included on this release.

Printing the Disc Contents

Types of files

The files that you can print are available in two formats:

- ASCII (text)
- PostScript

Printing PostScript files

Be sure to print PostScript files on a PostScript printer.

Printing the special notes and product listing files

Use this table to print the special notes files or a listing of products.

IF you want to print...	AND...	THEN enter this command...
The product listing file in ASCII text format	CD\$DIRECTORY is not defined	PRINT device-name: [CDROM]CDMASTER_INDEX.TXT
	CD\$DIRECTORY is defined	PRINT CD\$DIRECTORY:CDMASTER_INDEX.TXT
The product listing file in PostScript format	CD\$DIRECTORY is not defined	PRINT device-name: [CDROM]CDMASTER_INDEX.PS
	CD\$DIRECTORY is defined	PRINT CD\$DIRECTORY:CDMASTER_INDEX.PS
The special notes file in ASCII format	CD\$DIRECTORY is not defined	PRINT device-name: [CDROM]SPECIAL_NOTES.TXT
	CD\$DIRECTORY is defined	PRINT CD\$DIRECTORY:SPECIAL_NOTES.TXT
The special notes file in PostScript format	CD\$DIRECTORY is not defined	PRINT device-name: [CDROM]SPECIAL_NOTES.PS
	CD\$DIRECTORY is defined	PRINT CD\$DIRECTORY:SPECIAL_NOTES.PS

The Master Index for the Discs

The Master Index for the Discs

Explanation of table columns

The columns in Table 1 contain information as follows:

Column Name	Column Contents
Product Name	The name of the product.
Vers.	The version number of the product.
UPI	The unique product identifier.
Status	N indicates that the product is a new addition to the disc. U indicates the product has been updated since the last issue.
CD	The number of the disc on which the product is located.
Directory	The name of the product's directory on the disc.

The index

Table 1 May 1991 Master Index

Product Name	Vers.	UPI	Status	CD	Directory
3270 TERMINAL OPTION SOFTWARE	1.1	VV9AA		2	[CXM011]
AAF01/VMS SUBROUTINE LIBRARY	2.0	EFRAA		2	[AAF01020]
ADF01/VMS SUBROUTINE LIBRARY	4.0	735AA		2	[ADF01040]
ALL-IN-1 MAIL	1.0	YCZAA		1	[A1MAIL010]
ALL-IN-1 MAIL/DEUTSCH	1.0	VZ7GA		3	[A1MAILDE010]
ALL-IN-1 MAIL/DEUTSCH	1.0	YFTGA		3	[A1MAILDE010]
ALL-IN-1 MAIL/DEUTSCH	1.0	YFUGA		3	[A1MAILDE010]
ALL-IN-1 MAIL/FRANCAIS	1.0	VZ7PA		3	[A1MAILFR010]
ALL-IN-1 MAIL/ITALIANO	1.0	VZ7UA		3	[A1MAILIT010]
ALL-IN-1 PC SERVER FOR VMS	1.0	YFFAA		1	[A1SVC010]
ALL-IN-1 SERVICES FOR DECWINDOWS	1.0	YG4AA		1	[ASD010]
ALL-IN-1	2.4	AAAAA	U	1	[A1ENGLISH024]
ALL-IN-1 STARTER	2.4	VNNAA		1	[ASENGLISH024]
BASESTAR FOR VMS (Development)	3.0	YU9AA	N	2	[BCC030]
BASESTAR FOR VMS (Runtime)	3.0	YUAAA	N	2	[BCCLIB030]
CDA CONVERTER LIBRARY FOR VMS	1.0	VZAAA		1	[CDACVTLIB010]
CDA CONVERTER LIBRARY FOR VMS	1.1	VZAAA		1	[CDACVTLIB011]

(continued on next page)

The Master Index for the Discs

Table 1 (Cont.) May 1991 Master Index

Product Name	Vers.	UPI	Status	CD	Directory
DEC COMPUTER INTEGRATED TELEPHONY APPLIC. INTERFACE FOR VMS	2.1	VGXAA		2	[CIT021]
DEC COMPUTER INTEGRATED TELEPHONY SERVER FOR VMS	2.1	VGYAA		2	[CITSR021]
DEC GKS FOR VMS	4.1	810AA		4	[DECGKS041]
DEC GKS FOR VMS (Runtime)	4.1	811AA		4	[DECGKSRT0041]
DEC GKS-3D FOR VMS	1.1	VFXEA		4	[DECGKS3D011]
DEC GKS-3D FOR VMS (Runtime)	1.1	VFYEA		4	[DECGKS3DRT011]
DEC GKS-3D/JAPANESE FOR VMS	1.1	VFXJA		4	[DECGKS3DJ011]
DEC GKS-3D/JAPANESE FOR VMS (Runtime)	1.1	VFYJA		4	[DECGKS3DRTJ011]
DEC GKS/JAPANESE FOR VMS/JAPANESE	4.1	810JA		4	[DECGKSJ041]
DEC GKS/JAPANESE FOR VMS/JAPANESE (Runtime)	4.1	811JA		4	[DECGKSJRTO041]
DEC IEZ11 CLASS DRIVER FOR VMS	1.0	YEHAA		4	[IEZ11010]
DEC INFOSERVER CLIENT FOR VMS	1.0	GGWAA		1	[ESS010]
DEC ODA CDA GATEWAY FOR VMS	1.0	YHNAA	N	2	[ODA010]
DEC PHIGS FOR VMS	2.2	0KBAA		4	[DECPHIGS022]
DEC PHIGS FOR VMS (Runtime)	2.2	VK1AA		4	[DECPHIGSRTO022]
DEC PHIGS/JAPANESE FOR VMS/JAPANESE	2.2	0KBJA		4	[DECPHIGSJ022]
DEC PHIGS/JAPANESE FOR VMS/JAPANESE (Runtime)	2.2	VK1JA		4	[DECPHIGSJTRO022]
DEC PRINTSERVER SUPPORTING HOST SOFTWARE FOR VMS	3.2	798AA		2	[LPSVS032]
DEC RDBACCESS FOR ORACLE ON VMS	1.0	YQVAA		4	[VIDAO010]
DEC RDBACCESS FOR VAX RMS ON VMS	1.0	YQZAA	N	4	[NSDS010]
DEC RDBEXPERT FOR VMS	1.0	VFJAA		4	[RDBX010]
DEC REALTIME TEST INTEGRATOR FOR VMS (Development)	2.0	YWQAA	N	4	[RTI020]
DEC REALTIME TEST INTEGRATOR FOR VMS (Runtime)	2.0	B15AA	N	4	[RTIRTO020]
DEC SOFTPC FOR VMS	2.2	YNWAA		4	[SOFTPC022]
DEC TRELIS OBJECT SYSTEM FOR VMS	1.0	YLVA		4	[TRELIS010]
DEC VUIT (VISUAL USER INTERFACE TOOL) FOR VMS	1.0	YHCAA		4	[VUIT010]

(continued on next page)

The Master Index for the Discs

Table 1 (Cont.) May 1991 Master Index

Product Name	Vers.	UPI	Status	CD	Directory
DEC/EDI	1.0	YM2AA		2	[DECEDI010]
DECBRIDGE 500 SOFTWARE MICROCODE FOR VMS	2.2	YLYAA		2	[DEFEB022]
DECCONCENTRATOR 500 SOFTWARE MICROCODE FOR VMS	2.3	YLZAA		2	[DEFEN023]
DECDECISION	1.1	VW3AA		2	[DECISION011]
DECDECISION/DEUTSCH	1.1	VW3GA		3	[DECISIONDE011]
DECDECISION/ESPAÑOL	1.1	VW3SA		3	[DECISIONES011]
DECDECISION/FRANCAIS	1.1	VW3PA		3	[DECISIONFR011]
DECDECISION/NEDERLANDS	1.1	VW3HA		3	[DECISIONNL011]
DECDECISION/SVENSKA FOR VMS	1.1	VW3MA		3	[DECISIONSE011]
DECDESIGN	1.0	YFDAA		2	[DES010]
DECDX/VMS	1.2	708AA		2	[DDX012]
DECELMS (DEC EXTENDED LAN MANAGEMENT SOFTWARE)	1.1	YFPAA		2	[ELMS011]
DECFORMS	1.3	VCHAA	U	1	[FORMS013]
DECFORMS (Runtime)	1.3	VNSAA	U	1	[FORMSRT013]
DECFORMS/JAPANESE	1.2	VCHJA	N	4	[FORMSJ012]
DECFORMS/JAPANESE (Runtime)	1.2	VNSJA	N	4	[FORMSRTJ012]
DECIMAGE APPLICATION SERVICES FOR VMS	2.0	892AA		2	[IMG020]
DECIMAGE SCAN SOFTWARE FOR VMS	2.0	VPFAA		2	[ISA020]
DECIMAGE STORAGE MANAGER FOR VMS	1.0	893AA		2	[ISM010]
DECINTACT	1.1	VF1AA		4	[DECINTACT011]
DECINTACT (Runtime)	1.1	VF2AA		4	[DECINTACT011]
DECINTACT (Remote)	1.1	VF3AA		4	[DECINTACT011]
DECISION EXPERT FOR VMS	1.0B	VI2AA		4	[DEEX010]
DECMCC BASIC MANAGEMENT SYSTEM	1.1	YSUAA	U	4	[MCCBMS011]
DECMCC DEVELOPER'S TOOLKIT	1.1	YSWAA	U	4	[MCCTK011]
DECMCC DIRECTOR	1.1	VM9AA	U	4	[MCCDIR011]
DECMCC ENTERPRISE MANAGEMENT STATION	2.0	YFVAA		4	[MCCEMS020]
DECMCC SITE MANAGEMENT STATION	2.0	YGLAA		4	[MCCSMS020]
DECMCC TCP/IP SNMP ACCESS MODULE FOR VMS	1.0	YSVAA		4	[MCCTCPIP010]
DECMCC WANDESIGNER	1.0	YMGAA		4	[NDS010]

(continued on next page)

The Master Index for the Discs

Table 1 (Cont.) May 1991 Master Index

Product Name	Vers.	UPI	Status	CD	Directory
DECMESSAGEQ FOR VMS	1.0	GKPAA	N	2	[DMQ010]
DECNDU (NETWORK DEVICE UPGRADE) UTILITY FOR VMS	1.0	YWWAA		2	[NDU010]
DECNET-VAX	5.4	D05AA		1	[NETVAX054]
DECNET/SNA DATA TRANSFER FACILITY	2.0	VEBAA		2	[SNADTFS020]
DECNET/SNA DATA TRANSFER FACILITY	2.0	VEKAA		2	[SNADTFU020]
DECNET/SNA GATEWAY FOR CHANNEL TRANSPORT	2.0	VC9AA		2	[SNACSA020]
DECNET/SNA GATEWAY FOR SYNCHRONOUS TRANSPORT	1.1	S01AA		2	[SNACST011]
DECNET/SNA VMS 3270 DATA STREAM PROGRAMMING INTERFACE	1.4	363AA		2	[SNA3270014]
DECNET/SNA VMS 3270 TERMINAL EMULATOR	1.5	454AA		2	[SNATE015]
DECNET/SNA VMS APPC/LU6.2 PROGRAMMING INTERFACE	2.2	022AA		2	[SNALU62022]
DECNET/SNA VMS APPLICATION PROGRAMMING INTERFACE	2.3	455AA		2	[SNALU0023]
DECNET/SNA VMS DISOSS DOCUMENT EXCHANGE FACILITY	1.4	042AA		2	[SNADDXF014]
DECNET/SNA VMS DISTRIBUTED HOST COMMAND FACILITY	1.2	043AA		2	[SNADHCF012]
DECNET/SNA VMS GATEWAY MANAGEMENT	2.1	VCKAA		2	[SNAGM021]
DECNET/SNA VMS PRINTER EMULATOR	1.2	044AA		2	[SNAPRE012]
DECNET/SNA VMS REMOTE JOB ENTRY	1.4	453AA		2	[SNARJE014]
DECOMNI/VMS	1.0	YMEAA		2	[OMNI010]
DECPAGE	3.1	AANAA		4	[PAGE031]
DECPAGE/DEUTSCH	3.1	AANGA		3	[DECPAGEGERM031]
DECPAGE/ESPAÑOL	3.1	AANSA		3	[DECPAGESPAN031]
DECPAGE/ITALIANO	3.1	AANUA		3	[DECPAGEITAL031]
DECPRESENT FOR VMS	1.0	YHEAA		2	[PRESENT010]
DECPRINT PRINTING SERVICES FOR VMS	4.0	YNCAA	N	4	[CPS040]
DECPRINT PRINTING SERVICES/JAPANESE FOR VMS/JAPANESE	4.0	YNCJA	N	4	[CPSJ040]

(continued on next page)

The Master Index for the Discs

Table 1 (Cont.) May 1991 Master Index

Product Name	Vers.	UPI	Status	CD	Directory
DECPRINT UTILITY FOR POSTSCRIPT TO SIXEL PRINTING FOR VMS	1.0	VZPAA		4	[PSPRINT010]
DECROUTER 2000	1.2	VI8AA		2	[ROU012]
DECROUTER 250	1.0	YG6AA		2	[RT2010]
DECSCHEDULER FOR VMS	1.1	YLLAA		4	[SCHEDULER011]
DECSEVER 200 FOR VMS	3.1	VCBAA	U	2	[DS2031]
DECSEVER 250 FOR VMS	1.0	VTMAA		2	[DS25010]
DECSEVER 300 FOR VMS	2.0	VTUAA	U	2	[DS3020]
DECSEVER 500 FOR VMS	2.1	03KAA		2	[DS5021]
DECTRACE FOR VMS	1.0A	VW2AA		4	[EPC010]
DECVIEW3D FOR VMS	2.0	7969A		4	[DECVIEW3D020]
DECVOICE SOFTWARE	1.1	VFUAA		4	[VOX011]
DECWINDOWS DECNET/SNA 3270 TERMINAL EMULATOR FOR VMS	1.0	VXBAA		2	[SNADWTE010]
DECWRITE FOR VMS	1.1	VVFAA		1	[DECWRITE011]
DECWRITE/BRITISH FOR VMS	1.1	VVFEA	U	3	[DECWRITEBR011]
DECWRITE/DANSK FOR VMS	1.1	VVFDA	U	3	[DECWRITEDA011]
DECWRITE/DEUTSCH FOR VMS	1.1	VVFGA		3	[DECWRITEDE011]
DECWRITE/ESPAÑOL FOR VMS	1.1	VVFS A	U	3	[DECWRITEES011]
DECWRITE/FRANCAIS FOR VMS	1.0	VVFCA		3	[DECWRITEFR010]
DECWRITE/ITALIANO FOR VMS	1.0	VVFUA		3	[DECWRITEIT010]
DECWRITE/JAPANESE FOR VMS/JAPANESE	1.0	VVFJA		4	[DECWRITEJA010]
DECWRITE/NEDERLANDS FOR VMS	1.1	VVFHA	U	3	[DECWRITENL011]
DECWRITE/NORSK FOR VMS	1.0	VVFNA		3	[DECWRITENO010]
DECWRITE/SUOMI FOR VMS	1.1	VVFFA	U	3	[DECWRITEFI011]
DECWRITE/SVENSKA FOR VMS	1.1	VVFMA		3	[DECWRITESE011]
DIGITAL EXTENDED MATH LIBRARY FOR VMS	1.0A	YEZAA	U	4	[DXML010]
DIGITAL CARTRIDGE SERVER COMPONENT FOR VMS	1.0	YWNAA	N	2	[DCSC010]
DECWINDOWS 4125 EMULATOR FOR VMS	1.0	VZQAA	N	1	[DW4125010]
DECWINDOWS DECNET/SNA 3270 TE/JAPANESE	1.0	VXBJA	N	4	[SNADWTEJA010]
DRB32 VMS DRIVERS	3.0	VF5AA		2	[DRB32030]
DRX11-C/VMS DRIVER	6.0	S36AA		2	[DRX11C060]
EXTERNAL DOCUMENT EXCHANGE WITH IBM DISOSS	2.1	761AA		2	[EDEDIS021]

(continued on next page)

The Master Index for the Discs

Table 1 (Cont.) May 1991 Master Index

Product Name	Vers.	UPI	Status	CD	Directory
FORTRAN IV/VAX TO RSX	2.8	107AA		4	[FORIV028]
IEX-VMS-DRIVER	4.2	519AA		2	[IEX042]
INFOSERVER 100 SOFTWARE	1.1	YSHAA		1	[INFOSERV011]
IXV/VAXELN DRIVER	2.0	VG3AA		2	[IXVELN020]
IXV11/VMS DRIVER	2.0	VHZAA		2	[IXV11020]
LAN TRAFFIC MONITOR	1.2	VEHAA		2	[LTM012]
MICROVAX MIRA SWITCH CONTROL	2.2	09TAA		2	[MRA022]
MICROVAX/DRQ3B DEVICE DRIVER	1.3	0APAA		2	[HX013]
MIRA HIGH AVAILABILITY MANAGEMENT SOFTWARE FOR VMS	1.0	YHMAA		2	[HAMS010]
MUXSERVER 100 REMOTE TERMINAL SERVER	2.3	VE4AA		2	[MSVAENG023]
MUXSERVER 300 REMOTE TERMINAL SERVER FOR VMS	1.2	VT7AA		2	[MS3012]
NMCC/DECNET MONITOR	2.3	VTGAA		2	[NMCC023]
NMCC/VAX ETHERNIM	2.3	514AA		2	[ENIM023]
PATHWORKS FOR VMS	4.0	A93AA	N	2	[PCSA040]
PBXSERVER	2.1	VCCEA		2	[PBXSERVER021]
PDP-11 C FOR VMS	1.1	YEJAA		4	[PDP11C011]
PDP-11 DATATRIEVE/VAX	3.3A	105AA		4	[DTR11033]
PDP-11 FORTRAN-77/VAX TO RSX	5.4	138AA		4	[FOR77PDP054]
PDP-11 SYMBOLIC DEBUGGER/VAX TO RSX	2.2	139AA		4	[PDPDEBUG022]
REMOTE SYSTEM MANAGER	2.2	B13AA		2	[RSMRSRV022]
SESSION SUPPORT UTILITY	1.1	VE3AA		2	[SSU011]
TERMINAL SERVER MANAGER	1.3	VDHAA		2	[TSM013]
VAX 2780/3780 PROTOCOL EMULATOR	1.7	111AA		2	[BSCPTP017]
VAX 3271 PROTOCOL EMULATOR	2.5	112AA		2	[V3271E025]
VAX ACMS (Runtime)	3.1A	076AA		1	[ACMSRTO031]
VAX ACMS (Development)	3.1A	079AA		1	[ACMSDEV031]
VAX ACMS (Remote)	3.1A	Y30AA		1	[ACMSREM031]
VAX ADA	2.2	056AA		1	[ADA022]
VAX ADE	2.5	425AA		4	[ADE025]
VAX APL	3.2	020AA		1	[APL032]
VAX BASIC	3.4	095AA		1	[BASIC034]
VAX BLISS-32 IMPLEMENTATION LANGUAGE	4.6	106AA		1	[BLS32046]
VAX C	3.2	015AA		1	[VAXC032]
VAX CDD/PLUS	4.3	897AA	U	1	[CDD043]

(continued on next page)

The Master Index for the Discs

Table 1 (Cont.) May 1991 Master Index

Product Name	Vers.	UPI	Status	CD	Directory
VAX COBOL GENERATOR	1.3	365AA		1	[GEN013]
VAX COBOL GENERATOR/JAPANESE	1.3	365JA		4	[JGEN013]
VAX COBOL	4.4	099AA	U	1	[COBOL044]
VAX COBOL/JAPANESE	4.3	099JA		4	[JCOBOL043]
VAX COMPUTER INTEGRATED TELEPHONY MESSAGE DESK	1.0	YG8AA		2	[CITMD010]
VAX COPROCESSOR/RSX	1.1	VFEEAA		4	[CPRSX011]
VAX DATA DISTRIBUTOR	2.2	VDRAA		1	[DDAL022]
VAX DATATRIEVE	5.1	898AA		1	[DTR051]
VAX DATATRIEVE/JAPANESE	4.2	898JA		4	[JDTR042]
VAX DBMS	4.2	899AA		1	[DBMDEV042]
VAX DBMS (Runtime)	4.2	915AA		1	[DBMRTO042]
VAX DEC/CMS	3.4	007AA		1	[CMS034]
VAX DEC/MAP	3.0	VFZAA		1	[MAP030]
VAX DEC/MMS	2.6	VADAA		1	[MMS026]
VAX DEC/TEST MANAGER	3.2	927AA		1	[DTM032]
VAX DECALC	3.1	310AA		1	[CALC031]
VAX DECALC-PLUS	3.1	A98AA		1	[PLUS031]
VAX DECGRAPH	1.6	360AA		1	[GRAPH016]
VAX DECSCAN VMS AND ELN BITBUS DRIVERS	2.0	VCJAA		2	[IBQ020]
VAX DECSCAN VMS SOFTWARE TOOLKIT	2.1	VCSAA		2	[IOTK021]
VAX DECSLIDE	1.4	361AA		4	[SLIDE014]
VAX DIBOL	4.1A	018AA		1	[DIBOL041]
VAX DISK STRIPING DRIVER FOR VMS	1.0	YELAA		2	[STRIPE010]
VAX DISTRIBUTED FILE SERVICE	1.2	VEQAA		2	[DFS012]
VAX DISTRIBUTED NAME SERVICE	1.1A	VERAA		2	[DNS011]
VAX DISTRIBUTED QUEUING SERVICE	1.1	VENAA		2	[DQS011]
VAX DOCUMENT	2.0	VEEAA		1	[DOC020]
VAX DSM	6.0	130AA		2	[DSM060]
VAX FMS	2.4	VD7AA		1	[FMSFDV024]
VAX FMS (Runtime)	2.4	VD8AA		1	[VAXFMS024]
VAX FMS/JAPANESE	2.4	VD7JA		4	[FMSFDVJ024]
VAX FMS/JAPANESE (Runtime)	2.4	VD8JA		4	[VAXFMSJ024]
VAX FORTRAN HIGH PERFORMANCE OPTION	1.1	YHBAA		1	[FORTHPO011]

(continued on next page)

The Master Index for the Discs

Table 1 (Cont.) May 1991 Master Index

Product Name	Vers.	UPI	Status	CD	Directory
VAX FORTRAN	5.6	100AA		1	[FORT056]
VAX ISDN ACCESS	1.1	VZCAA		2	[ISDN- ACCESS011]
VAX ISDN	1.1	VZ9AA		2	[ISDN011]
VAX LANGUAGE SENSITIVE EDITOR/SOURCE CODE ANALYZER	3.1	057AA		1	[LSE031]
VAX LISP/VMS	3.1	917AA		2	[LISP031]
VAX LN03 IMAGE SUPPORT SOFTWARE	1.0	VZRAA		2	[LN03IMAGE010]
VAX NOTES	2.0	960AA		1	[NOTES020]
VAX NOTES	2.1	960AA		1	[NOTES021]
VAX OPS5	3.0A	913AA		1	[OPS030]
VAX PACKETNET SYSTEM INTERFACE ACCESS	4.3	061AA		2	[PSI_AC043]
VAX PACKETNET SYSTEM INTERFACE	4.3	071AA		2	[PSI043]
VAX PASCAL	4.2	126AA	U	1	[PASCAL042]
VAX PERFORMANCE ADVISOR	2.1	VE5AA		1	[VPA021]
VAX PERFORMANCE AND COVERAGE ANALYZER	3.0	119AA		1	[PCA030]
VAX PL/I	3.4	114AA		1	[PLI034]
VAX PRINTSERVER CLIENT SOFTWARE	3.0	797AA		2	[LPSVC030]
VAX PRINTSERVER SUPPORTING HOST SW/JAPANESE FOR VMS/JAPANESE	3.2	798JA		4	[LPSVSJ032]
VAX PUBLIC ACCESS COMMUNICATIONS	1.3	VFHAA	U	1	[VAXPAC013]
VAX RALLY	2.2	A86AA		1	[RALDO022]
VAX RALLY (Runtime)	2.2	VF4AA		1	[RALRTO022]
VAX RDB/ELN	2.2	D07AA		4	[RDBB022]
VAX RDB/VMS	4.0	358AA		1	[RDBVMSRTO040]
VAX RDB/VMS (Interactive)	4.0	VCLAA		1	[RDBVMSINT040]
VAX RDB/VMS (Full Development)	4.0	VD2AA		1	[RDBVMSDEV040]
VAX RDB/VMS/JAPANESE (Full Development)	4.0	VD2JA		4	[JRDBVMSDEV040]
VAX REAL-TIME ACCELERATOR SOFTWARE	2.0A	VJNAA		2	[VRTA020]
VAX REMOTE ENVIRONMENTAL MONITORING SOFTWARE	1.2	VI5AA		2	[REMS012]

(continued on next page)

The Master Index for the Discs

Table 1 (Cont.) May 1991 Master Index

Product Name	Vers.	UPI	Status	CD	Directory
VAX RMS JOURNALING	5.4	VDVAA		1	[RMSJNL054]
VAX SCAN	1.2	495AA		1	[SCAN012]
VAX SOFTWARE PERFORMANCE MONITOR	3.4	850AA		1	[SPM034]
VAX SOFTWARE PERFORMANCE MONITOR (Collect)	3.4	VUPAA		1	[SPMC034]
VAX SOFTWARE PROJECT MANAGER	1.2	A82AA		1	[PM012]
VAX STORAGE LIBRARY SYSTEM	2.0A	0L7AA	U	1	[SLS020]
VAX STORAGE LIBRARY SYSTEM	2.0A	YE8AA	U	1	[SLSRMT020]
VAX TDMS	1.9A	706AA		1	[TDMSDEV019]
VAX TDMS (Runtime)	1.9A	711AA		1	[TDMSRTO019]
VAX TEAMDATA	1.4	741AA		1	[TDA014]
VAX TEAMDATA/DANSK	1.3	741DA		3	[TDADA013]
VAX TEAMDATA/DEUTSCH	1.3	741GA		3	[TDADE013]
VAX TEAMDATA/ESPANOL	1.3	741SA		3	[TDAES013]
VAX TEAMDATA/FRANCAIS	1.3	741PA		3	[TDAFR013]
VAX TEAMDATA/NORSK	1.3	741NA		3	[TDANO013]
VAX TEAMINFO/SVENSKA	1.3	741MA		3	[TDASE013]
VAX VERTICAL FORMS PRINTING FOR VMS	1.0	VZEAA		1	[VFP010]
VAX VTX	4.1	031AA		1	[VTX041]
VAX WIDE AREA NETWORK DEVICE DRIVERS	1.1A	VAWAA		2	[SYNC011]
VAX XWAY	1.2	729AA		2	[XWAY012]
VAX-11 RSX	2.5	382AA		2	[RSX025]
VAX/EDI (UK)	1.1	VHWAA		2	[VAXEDI011]
VAXCLUSTER CONSOLE SYSTEM	1.3	V01AA		1	[VCS013]
VAXCLUSTER SOFTWARE	5.4	VBRAA		1	[VAXCLU054]
VAXELN ADA	2.2	A97AA		4	[VAXELN_ ADA022]
VAXELN KMV1A TOOL KIT	1.1	0JPAA		4	[KMV_ ELNTOOL011]
VAXELN TOOLKIT	4.2	375AA		4	[ELN042]
VAXFT SYSTEM SERVICES	1.0	YEAAA		4	[FTSS010]
VAXSET	10.0	965AA		1	[VAXSET100]
VIDA FOR DB2	1.0A	VTWAA		1	[VIDA2010]
VIDA/JAPANESE FOR DB2	1.0	VTWJA	N	4	[VIDAJ2010]
VMS DECWINDOWS/CANADIEN-FRANCAIS	2.1	YFSPB		3	[DECWFR_ CA021]

(continued on next page)

The Master Index for the Discs

Table 1 (Cont.) May 1991 Master Index

Product Name	Vers.	UPI	Status	CD	Directory
VMS DECWINDOWS/DEUTSCH	2.1	YFSGA		3	[DECWDE_ DE021]
VMS DECWINDOWS/DEUTSCH/CH	2.1	YFSGB		3	[DECWDE_ CH021]
VMS DECWINDOWS/FRANCAIS	2.1	YFSPA		3	[DECWFR_ FR021]
VMS DECWINDOWS/FRANCAIS/CH	2.1	YFSPC		3	[DECWFR_ CH021]
VMS DECWINDOWS/ITALIANO	2.1	YFSUA		3	[DECWIT_IT021]
VMS DECWINDOWS/ITALIANO/CH	2.1	YFSUB		3	[DECWIT_CH021]
VMS DECWINDOWS/NEDERLANDS	2.1	YFSHA		3	[DECWNL_ NL021]
VMS DECWINDOWS/NORSK	2.1	YFSNA		3	[DECWNO_ NO021]
VMS DECWINDOWS/SVENSKA	2.1	YFSMA		3	[DECWSV_SE021]
VMS OPERATING SYSTEM	5.4	001AA		1	[VMS054]
VMS OPERATING SYSTEM	5.4-2	001AA	U	1	[VMSU2054]
VMS VOLUME SHADOWING	5.4	AB2AA		1	[VOLSHD054]
VMS WORKSTATION SOFTWARE	4.3	A96AA		1	[VWS043]
VMS WORKSTATION SOFTWARE/JAPANESE	4.3	A96JA		4	[JVWS043]
VMS/JAPANESE	5.4	001JA		4	[JVMS054]
VMS/JAPANESE	5.4-1	001JA		4	[JVMSU1054]
VMS/JAPANESE	5.4-2	001JA	U	4	[JVMSU2054]
VMS/SNA	2.0	362AA		2	[SNAVMS020]
VMS/ULTRIX CONNECTION	1.3A	VHRAA		1	[UCX013]
WPS-PLUS/VMS	4.0	AAMAA		1	[WPLENGLISH040]
WPS-PLUS/VMS/ESPAÑOL	3.1	AAMSA		3	[WPLSPANISH031]
WPS-PLUS/VMS/FRANCAIS	3.1	AAMPA		3	[WPLFRENCH031]
WPS-PLUS/VMS/SVENSKA	3.1	AAMMA		3	[WPLSWEDISH031]
X25ROUTER 2000	1.1	S02AA		2	[X25ROU011]

©Digital Equipment Corp. 1991. All rights reserved.

Disc Care and Handling

Care and Handling Instructions for Compact Disc Read-Only Memory (CDROM)

Hold the CDROM by the edges. Do not write on or affix labels to the CDROM or caddy. Do not use solvents or abrasives to clean the CDROM. No cleaning should be necessary if the CDROM is held by the edges and stored in its caddy.

Instrucciones Para el Cuidado y el Manejo de la Memoria de Solo-Lectura de Disco Compacto (CDROM)

Sostenga el CDROM por los bordes. No escriba ni pegue etiquetas en el CDROM ni en el caddy. No utilice ni disolventes ni productos abrasivos para limpiar el CDROM.

La limpieza no debería ser necesaria si el CDROM se sostiene por los bordes y se guarda en su caddy.

Beachten Sie beim Umgang mit CDROMs folgendes

Halten Sie eine CD immer am Rand. Berühren Sie nicht die Datenseite. Schreiben Sie nicht direkt auf CDROM oder Kassette und bringen Sie auf diesen Teilen keine Etiketten an.

Wenn Sie eine CD vorschriftsmäßig behandeln und diese immer in der Kassette aufbewahren, ist eine Reinigung der CD normalerweise nicht erforderlich. Verwenden Sie bei Bedarf zum Reinigen nur Lösungsmittel und schmirgelfreie Mittel.

Precautions d'Emploi et d'Entretien de la Memoire Fixe de Disque Compact (CDROM)

Manipuler la CDROM en la tenant par les bords. Ne pas écrire ni coller d'étiquettes sur la chariot. Aucun nettoyage n'est nécessaire si la CDROM est tenue par las bords et conservée dans son chariot.

